

Johnson Air Variable Capacitor TYPE R - 149 series

This rugged Johnson version of a popular standardized capacitor has steatite stator support insulators and soldered .023" thick brass plates. All metal parts are heavily nickel-plated for resistance to corrosion. Sturdy brass end frames offer excellent rigidity. Double bearing construction and silver-plated beryllium copper wiping contacts provide smooth, reliable performance. Peak withstanding voltage is 1200 volts – with standard .024" air gap.



Also available with .036," .050," .071", or .095" plate air gap, as well as special plating and shaft length in production quantities.

Available on special order up to 325 pF
Bearing threaded 3/8" - 32.

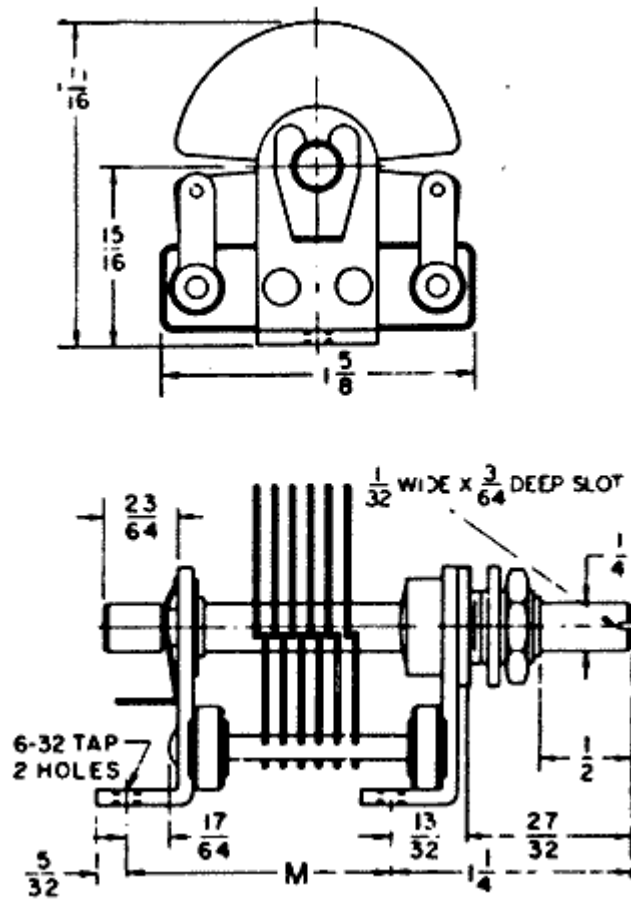
Available without mounting feet for panel mounting

Type "R" capacitors specification chart

Cat. No.	Nominal Capacity (pF)		Plates	M ± 1/32"
	Max.	Min.		
Type "R" Capacitors				
149-1-1	20	5.3	3	1 7/32"
149-2-1	35	5.6	5	1 7/32"
149-3-1	50	5.9	7	1 7/32"
149-4-1	80	6.6	11	1 7/32"
149-5-1	102	7.1	14	1 13/32"
149-6-1	140	8.0	19	1 19/32"

Cardwell Condenser Corporation
80 East Montauk Highway
Lindenhurst, New Jersey 11757
(631) 957-7200
sales@cardwellcondenser.com

Schematic drawing of Johnson 149 series



Cardwell Condenser Corporation
80 East Montauk Highway
Lindenhurst, New Jersey 11757
(631) 957-7200
sales@cardwellcondenser.com